



Compression Load Cell CM (CM-Ex)

NEW hygienic (aseptic) compression load cell types CM and CM-Ex in EHEDG compliant design. These robust digital compression load cells are produced in electropolished stainless steel and hermetically sealed to IP68 for hygienic weighing installations, installations in tough environments and general process weighing. The load cells can be supplied with a hygienic base plate in AISI316. The compression load cell type CM-Ex can be used in ATEX (Ex) and IECEx applications (Zone 1, 2, 21 and 22)

Type:	CM (Non-ATEX) CM-Ex (ATEX)
Capacity (Emax):	6000, 8000, 10000, 12000, 15000, 20000, 25000, 30000, 40000, 50000kg
Accuracy:	Industrial 0.10%, Precision 0.05%, High Precision 0.025%
Overload Tolerance:	Up to 300% of rated capacity

- EHEDG compliant hygienic (aseptic) design without gaps or edges for easy cleaning to minimize the risk of bacteria growth
- Developed and manufactured in Denmark
- Low profile and hygienic design
- High tolerance of up to 1000% overload
- Robust capacitive technology
- Hermetically sealed to IP68
- Electropolished stainless steel 1.4542 (17-4 PH)
- Laser welded with Duplex 1.4462 stainless steel
- ATEX and IECEx certified (Zone 1, 2, 21, 22)
- Easy mechanical and electrical installation

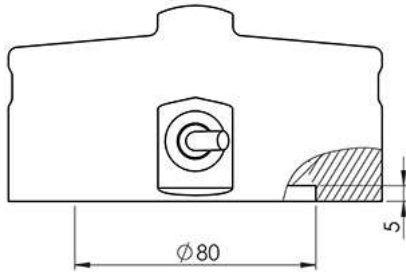
- High accuracy, High resolution
- Capacity (Emax): 6000, 8000, 10000, 12000, 15000, 20000, 25000, 30000kg
- Accuracy: Industrial 0.10%, Precision 0.05%, High Precision 0.025%
- Load cell cable length up to 100meters
- Load cell calibration independent of cable length
- Load cell cable replaceable on-site
- Withstands welding voltages and ESD
- Can be used in both ATEX / IECEx and non-ATEX installations

- [CM \(CM-Ex\) Datasheet](#)
- [Digital Compression Load Cell Type CM Dimensions PDF](#)
- [Digital Compression Load Cell Type CM STEP 3D CAD File \(Right click - Save Link As\)](#)
- [Load cell type CM CM-Ex Installation without base plate](#)
- [Load cell type CM CM-Ex Installation with standard base plate](#)
- [Load cell type CM CM-Ex installation with hygienic base plate](#)
- [4000 Generation ATEX Certificate SEV14 ATEX 0171 X \(GERMAN\) PDF](#)
- [4000 Generation ATEX Certificate SEV14 ATEX 0171 X \(ENGLISH\) PDF](#)
- [CM CM-Ex Compression Load Cell STEP 3D CAD File \(Right click - Save Link As\)](#)

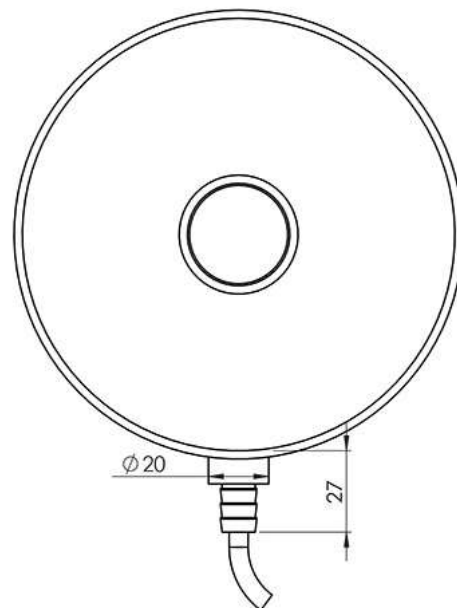
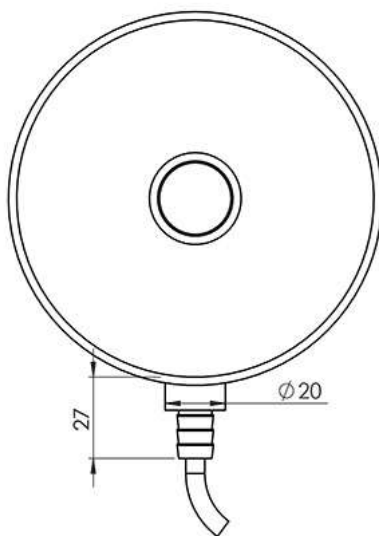
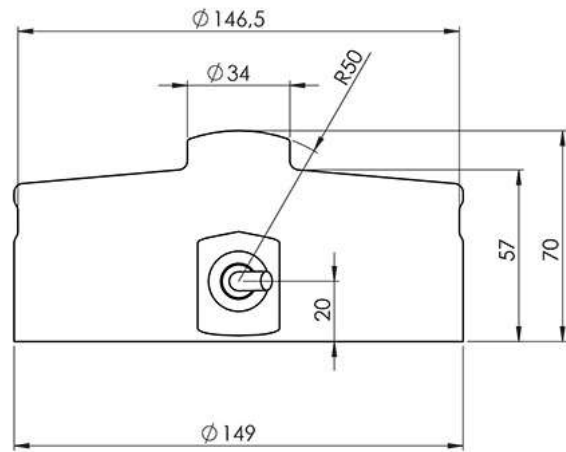
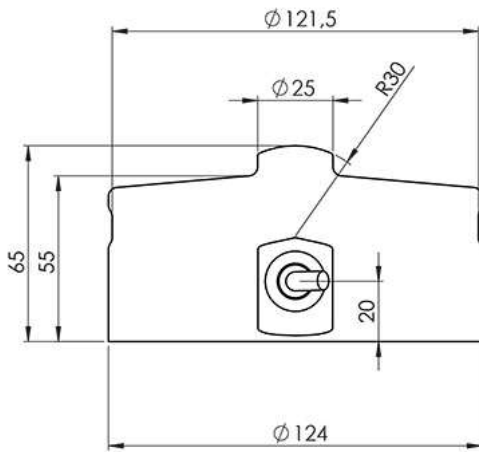
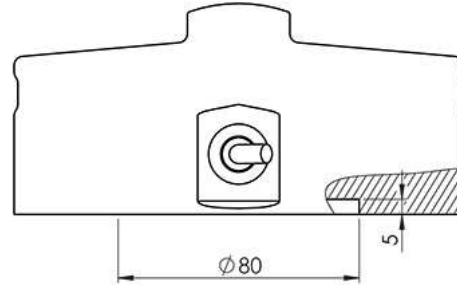
- [Hygienic Base Plate for CM M16 dimensions PDF](#)
- [Hygienic Base Plate for CM M16 STEP 3D CAD File \(Right click - Save Link As\)](#)
- [Standard Base Plate for CM dimensions PDF](#)
- [Guideline Correct Mounting of BNC Connector \(UK\) PDF](#)
- [VIDEO - Correct Mounting of BNC Connector \(UK\)](#)



CM (CM-Ex)
Capacity 6 to 25 ton



CM (CM-Ex)
Capacity 30 to 50 ton



Parameter	Unit	0.10%	0.05%	0.025%
Rated capacity (E_{max})	kg	6000, 8000, 10000, 12000, 15000, 20000, 25000, 30000, 40000*, 50000*		
Safe overload limit	% of E_{max}	200 to 400		
Safe sideload limit	% of E_{max}	200 to 500		
Minimum dead load	% of E_{max}	0		
Accuracy	% of E_{max}	0.100	0.050	0.025
Repeatability	% of E_{max}	0.030	0.025	0.018
Hysteresis	% of E_{max}	0.055	0.040	0.020
Creep 30 min.	% of E_{max}	0.060	0.040	0.040
Temperature effect on zero	% /10°C	0.060	0.055	0.055
Temperature effect on sensitivity	% /10°C	0.060	0.055	0.055
Compensated temperature range	°C	-10 to 50		
Operating temperature range	°C	-50 to 70 (100**)		
Deflection at E_{max}	mm	max 0.10		
Measuring rate	Hz	500		
Supply	Vdc	24Vdc ±5%		
Internal resolution	Bit	24		
Material		Stainless Steel 17-4 PH and AISI 316		
Protection		IP68		
Cable		6meter standard coaxial RG-58 (Ø6mm) with BNC connector		
Maximum load cell cable length	m	100		
Weight	kg	4.0/6.5*		
Output options		EtherNet/IP, PROFINET, EtherCAT, Modbus TCP/IP, Profibus DP, DeviceNet, RS485, 4-20mA, 0-10Vdc		

* load cell diameter 150mm

** when equipped with Teflon cable

- Tank weighing
- Process weighing
- Level measurement
- Filling and dosing
- Large Vessels
- Offshore applications
- Heavy duty applications

- ATEX and IECEx (Zone 1, 2, 21, 22) version type CM-Ex
- ATEX II 2G Ex ia IIC T6 Gb / ATEX II 2D Ex IIIC T85°C Db
- Hygienic and Standard Base Plate available
- Load cell cable length 10, 20, 50 or 100meters
- Mud resistant and Halogen free cables for offshore installation
- Special PE load cell cable available for freezing low temperature (can be used down to -50 degrees Celsius)
- Special Teflon load cell cable available for very high temperature (can be used up to 100 degrees Celsius)

